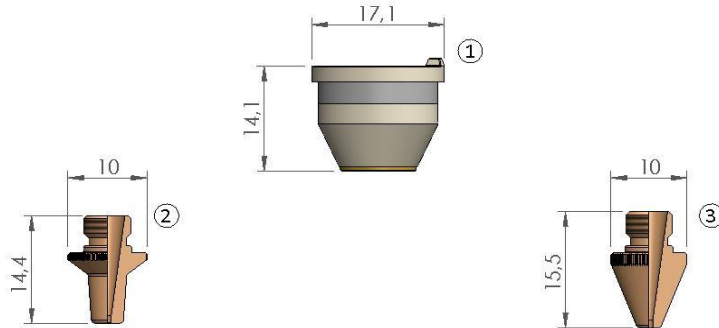
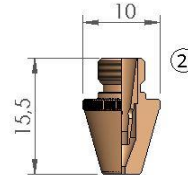
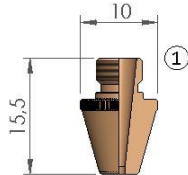


Replacement parts suitable for BLM[®]



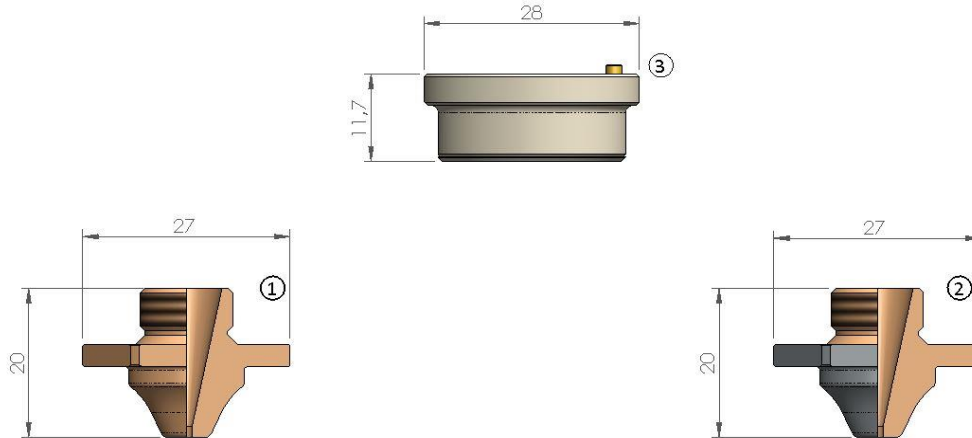
POS	LS. CODE	ORIGINAL CODE	DESCRIPTION	unit price	10 pack price
1	059010	280408	PRECITEC [®] ORIGINAL NOZZLE HOLDER KT M1.5" KN		
2	402001W	0455054	BLM [®] NOZZLE Ø 1.0		
	402002W	0455034	BLM [®] NOZZLE Ø 1.5		
	402003W	0455024	BLM [®] NOZZLE Ø 1.8		
	402004W	0455014	BLM [®] NOZZLE Ø 2.0		
	402005W	C50762A	BLM [®] NOZZLE Ø 2.5		
	402006W	455044	BLM [®] NOZZLE Ø 1.2		
3	402010W	6930250031/00	BLM [®] NOZZLE Ø 1.0 TCL		
	402011W	6930250032/00	BLM [®] NOZZLE Ø 1.2 TCL		
	402012W	6930250033/00	BLM [®] NOZZLE Ø 1.5 TCL		
	402013W	6930250034/00	BLM [®] NOZZLE Ø 1.8 TCL		
	402014W	6930250035/00	BLM [®] NOZZLE Ø 2.0 TCL		
	402015W	6930250043/00	BLM [®] NOZZLE Ø 2.3 TCL		
	402016W	6930250036/00	BLM [®] NOZZLE Ø 2.5 TCL		
	402017W	6930250044/00	BLM [®] NOZZLE Ø 3.0 TCL		

Replacement parts suitable for BLM[®]



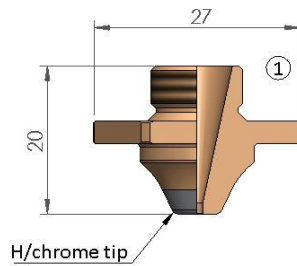
POS	LS. CODE	ORIGINAL CODE	DESCRIPTION	unit price	10 pack price
1	402020W	6930250862	BLM [®] NOZZLE Ø 1.0 KNL		
	402021W	6930250863	BLM [®] NOZZLE Ø 1.2 KNL		
	402022W	6930250835	BLM [®] NOZZLE Ø 1.5 KNL		
	402023W	6930250864	BLM [®] NOZZLE Ø 1.8 KNL		
	402024W	6930250836	BLM [®] NOZZLE Ø 2.0 KNL		
	402025W		BLM [®] NOZZLE Ø 2.3 KNL		
	402026W	6930250865	BLM [®] NOZZLE Ø 2.5 KNL		
	402027W	6930250866	BLM [®] NOZZLE Ø 3.0 KNL		
2	402030W	693025857	BLM [®] DOUBLE NOZZLE Ø 1.0 KNL		
	402031W	693025858	BLM [®] DOUBLE NOZZLE Ø 1.2 KNL		
	402032W	693025837	BLM [®] DOUBLE NOZZLE Ø 1.5 KNL		
	402033W	693025859	BLM [®] DOUBLE NOZZLE Ø 1.8 KNL		
	402034W	693025838	BLM [®] DOUBLE NOZZLE Ø 2.0 KNL		
	402035W		BLM [®] DOUBLE NOZZLE Ø 2.3 KNL		
	402036W	693025860	BLM [®] DOUBLE NOZZLE Ø 2.5 KNL		
	402037W	693025861	BLM [®] DOUBLE NOZZLE Ø 3.0 KNL		

Replacement parts suitable for BLM[®]



POS	LS. CODE	ORIGINAL CODE	DESCRIPTION	unit price	10 pack price
1	401020	6930250800/00	BLM [®] NOZZLE SCB Ø 1.0		
	401021	6930250801/00	BLM [®] NOZZLE SCB Ø 1.2		
	401022	6930250802/00	BLM [®] NOZZLE SCB Ø 1.5		
	401023	6930250803/00	BLM [®] NOZZLE SCB Ø 1.8		
	401024	6930250804/00	BLM [®] NOZZLE SCB Ø 2.0		
	401025	6930250805/00	BLM [®] NOZZLE SCB Ø 2.3		
	401026	6930250806/00	BLM [®] NOZZLE SCB Ø 2.5		
	401027	6930250807/00	BLM [®] NOZZLE SCB Ø 3.0		
	401028	6930250808/00	BLM [®] NOZZLE SCB Ø 3.5		
	401029	6930250809/00	BLM [®] NOZZLE SCB Ø 4.0		
2	401020K	6930250800/00	BLM [®] NOZZLE SCB Ø 1.0 SPECIAL CP		
	401021K	6930250801/00	BLM [®] NOZZLE SCB Ø 1.2 SPECIAL CP		
	401022K	6930250802/00	BLM [®] NOZZLE SCB Ø 1.5 SPECIAL CP		
	401023K	6930250803/00	BLM [®] NOZZLE SCB Ø 1.8 SPECIAL CP		
	401024K	6930250804/00	BLM [®] NOZZLE SCB Ø 2.0 SPECIAL CP		
	401025K	6930250805/00	BLM [®] NOZZLE SCB Ø 2.3 SPECIAL CP		
	401026K	6930250806/00	BLM [®] NOZZLE SCB Ø 2.5 SPECIAL CP		
	401027K	6930250807/00	BLM [®] NOZZLE SCB Ø 3.0 SPECIAL CP		
	401028K	6930250808/00	BLM [®] NOZZLE SCB Ø 3.5 SPECIAL CP		
	401029K	6930250809/00	BLM [®] NOZZLE SCB Ø 4.0 SPECIAL CP		
3	409001	6930003224/00	BLM [®] NOZZLE HOLDER		

Replacement parts suitable for BLM[®]



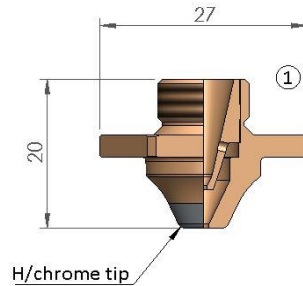
POS	LS. CODE	ORIGINAL CODE	DESCRIPTION	unit price	10 pack price
1	401020CK	6930250800/00	BLM [®] NOZZLE SCB Ø 1.0 CP		
	401021CK	6930250801/00	BLM [®] NOZZLE SCB Ø 1.2 CP		
	401022CK	6930250802/00	BLM [®] NOZZLE SCB Ø 1.5 CP		
	401023CK	6930250803/00	BLM [®] NOZZLE SCB Ø 1.8 CP		
	401024CK	6930250804/00	BLM [®] NOZZLE SCB Ø 2.0 CP		
	401025CK	6930250805/00	BLM [®] NOZZLE SCB Ø 2.3 CP		
	401026CK	6930250806/00	BLM [®] NOZZLE SCB Ø 2.5 CP		
	401027CK	6930250807/00	BLM [®] NOZZLE SCB Ø 3.0 CP		
	401028CK	6930250808/00	BLM [®] NOZZLE SCB Ø 3.5 CP		
	401029CK	6930250809/00	BLM [®] NOZZLE SCB Ø 4.0 CP		

Replacement parts suitable for BLM[®]

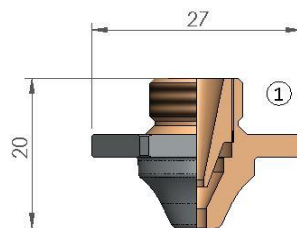


POS	LS. CODE	ORIGINAL CODE	DESCRIPTION	unit price	10 pack price
1	401040	6930250810/00	BLM [®] DOUBLE NOZZLE D3F Ø 1.0		
	401041	6930250811/00	BLM [®] DOUBLE NOZZLE D3F Ø 1.2		
	401042	6930250812/00	BLM [®] DOUBLE NOZZLE D3F Ø 1.5		
	401043	6930250813/00	BLM [®] DOUBLE NOZZLE D3F Ø 1.8		
	401044	6930250814/00	BLM [®] DOUBLE NOZZLE D3F Ø 2.0		
	401045	6930250815/00	BLM [®] DOUBLE NOZZLE D3F Ø 2.3		
	401046	6930250816/00	BLM [®] DOUBLE NOZZLE D3F Ø 2.5		
	401047	6930250817/00	BLM [®] DOUBLE NOZZLE D3F Ø 3.0		
	401048	6930250818/00	BLM [®] DOUBLE NOZZLE D3F Ø 3.5		
2	401040K	6930250810/00	BLM [®] DOUBLE NOZZLE D3F Ø 1.0 SPECIAL CP		
	401041K	6930250811/00	BLM [®] DOUBLE NOZZLE D3F Ø 1.2 SPECIAL CP		
	401042K	6930250812/00	BLM [®] DOUBLE NOZZLE D3F Ø 1.5 SPECIAL CP		
	401043K	6930250813/00	BLM [®] DOUBLE NOZZLE D3F Ø 1.8 SPECIAL CP		
	401044K	6930250814/00	BLM [®] DOUBLE NOZZLE D3F Ø 2.0 SPECIAL CP		
	401045K	6930250815/00	BLM [®] DOUBLE NOZZLE D3F Ø 2.3 SPECIAL CP		
	401046K	6930250816/00	BLM [®] DOUBLE NOZZLE D3F Ø 2.5 SPECIAL CP		
	401047K	6930250817/00	BLM [®] DOUBLE NOZZLE D3F Ø 3.0 SPECIAL CP		
	401048K	6930250818/00	BLM [®] DOUBLE NOZZLE D3F Ø 3.5 SPECIAL CP		

Replacement parts suitable for BLM[®]

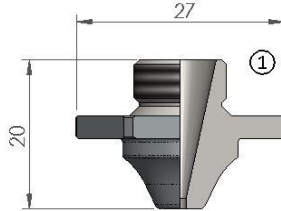


POS	LS. CODE	ORIGINAL CODE	DESCRIPTION	unit price	10 pack price
1	401040CK	6930250810/00	BLM [®] DOUBLE NOZZLE D3F Ø 1.0 CP		
	401041CK	6930250811/00	BLM [®] DOUBLE NOZZLE D3F Ø 1.2 CP		
	401042CK	6930250812/00	BLM [®] DOUBLE NOZZLE D3F Ø 1.5 CP		
	401043CK	6930250813/00	BLM [®] DOUBLE NOZZLE D3F Ø 1.8 CP		
	401044CK	6930250814/00	BLM [®] DOUBLE NOZZLE D3F Ø 2.0 CP		
	401045CK	6930250815/00	BLM [®] DOUBLE NOZZLE D3F Ø 2.3 CP		
	401046CK	6930250816/00	BLM [®] DOUBLE NOZZLE D3F Ø 2.5 CP		
	401047CK	6930250817/00	BLM [®] DOUBLE NOZZLE D3F Ø 3.0 CP		
	401048CK	6930250818/00	BLM [®] DOUBLE NOZZLE D3F Ø 3.5 CP		

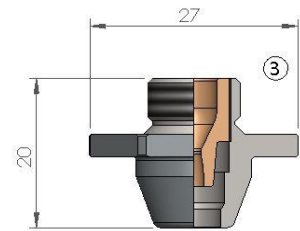
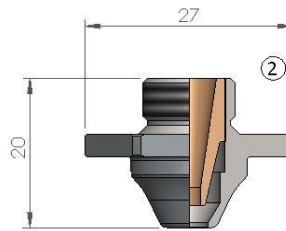
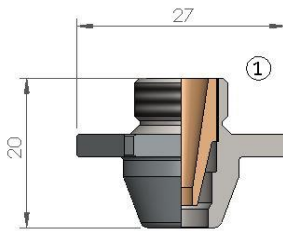


POS	LS. CODE	ORIGINAL CODE	DESCRIPTION	unit price	10 pack price
1	401055K	6930250840	BLM [®] DOUBLE NOZZLE ACB Ø 2.5 SPECIAL CP		
	401058K	6930250839	BLM [®] DOUBLE NOZZLE ACB Ø 4.0 SPECIAL CP		

Replacement parts suitable for BLM[®]

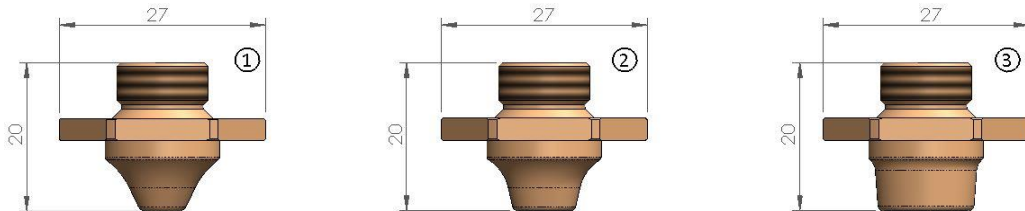


POS	LS. CODE	ORIGINAL CODE	DESCRIPTION	unit price	10 pack price
1	401005K	6930250820/00	BLM [®] NOZZLE NCB Ø 1.5 SPECIAL CP		
	401006K	6930250821/00	BLM [®] NOZZLE NCB Ø 1.8 SPECIAL CP		
	401007K	6930250822/00	BLM [®] NOZZLE NCB Ø 2.0 SPECIAL CP		
	401008K	6930250823/00	BLM [®] NOZZLE NCB Ø 2.3 SPECIAL CP		
	401009K	6930250824/00	BLM [®] NOZZLE NCB Ø 2.5 SPECIAL CP		
	401010K	6930250825/00	BLM [®] NOZZLE NCB Ø 3.0 SPECIAL CP		
	401011K	6930250826/00	BLM [®] NOZZLE NCB Ø 3.5 SPECIAL CP		
	401012K	6930250827/00	BLM [®] NOZZLE NCB Ø 4.0 SPECIAL CP		

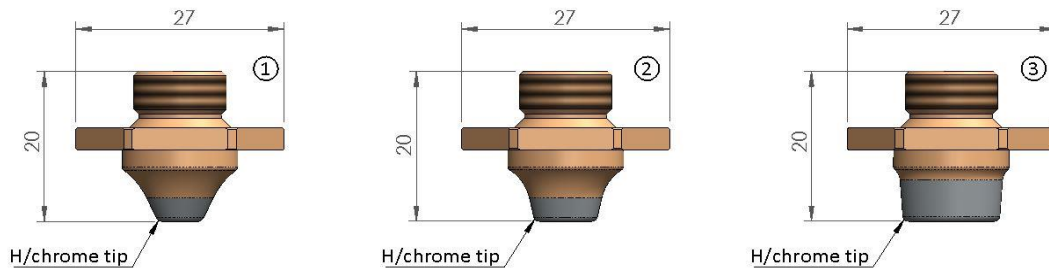


POS	LS. CODE	ORIGINAL CODE	DESCRIPTION	unit price	10 pack price
1	401016K	6930250819	BLM [®] DOUBLE NOZZLE NCB Ø 7.0 SPECIAL CP		
2	401017K	6930250841	BLM [®] DOUBLE NOZZLE NCB Ø 5.0 SPECIAL CP		
3	401018K		BLM [®] DOUBLE NOZZLE QCB Ø 7.0 SPECIAL CP		

Replacement parts suitable for BLM[®]



POS	LS. CODE	ORIGINAL CODE	DESCRIPTION	unit price	10 pack price
1	406001		BLM [®] DOUBLE NOZZLE Ø 2.5 - SS		
	406002		BLM [®] DOUBLE NOZZLE Ø 3.0 - SS		
	406003		BLM [®] DOUBLE NOZZLE Ø 4.0 - SS		
2	406004		BLM [®] DOUBLE NOZZLE Ø 6.0 - SS		
3	406005		BLM [®] DOUBLE NOZZLE Ø 10.0 - SS		



POS	LS. CODE	ORIGINAL CODE	DESCRIPTION	unit price	10 pack price
1	406001CK		BLM [®] DOUBLE NOZZLE Ø2.5 CP - SS		
	406002CK		BLM [®] DOUBLE NOZZLE Ø3.0 CP - SS		
	406003CK		BLM [®] DOUBLE NOZZLE Ø4.0 CP - SS		
2	406004CK		BLM [®] DOUBLE NOZZLE Ø6.0 CP - SS		
3	406005CK		BLM [®] DOUBLE NOZZLE Ø10.0 CP - SS		